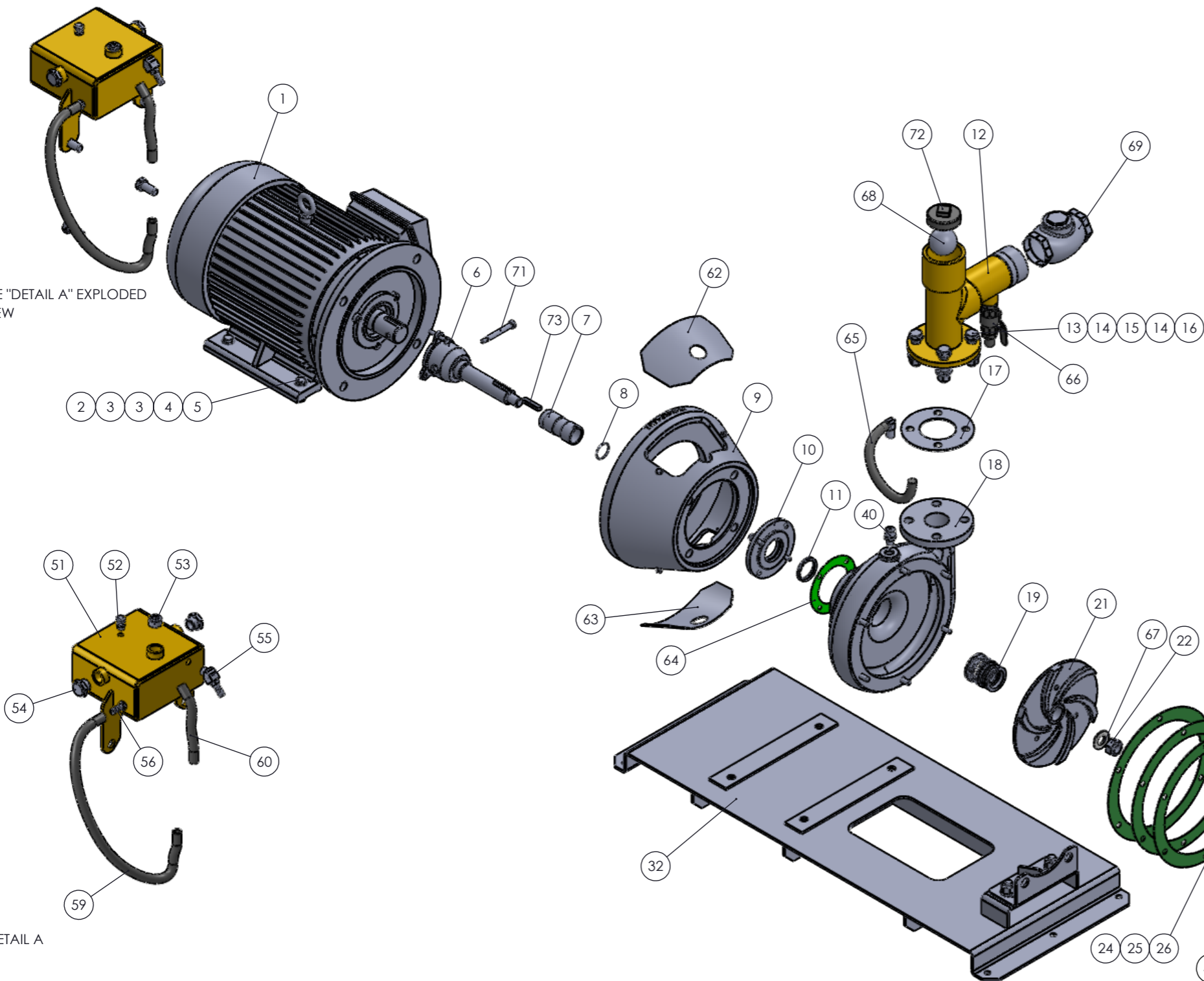
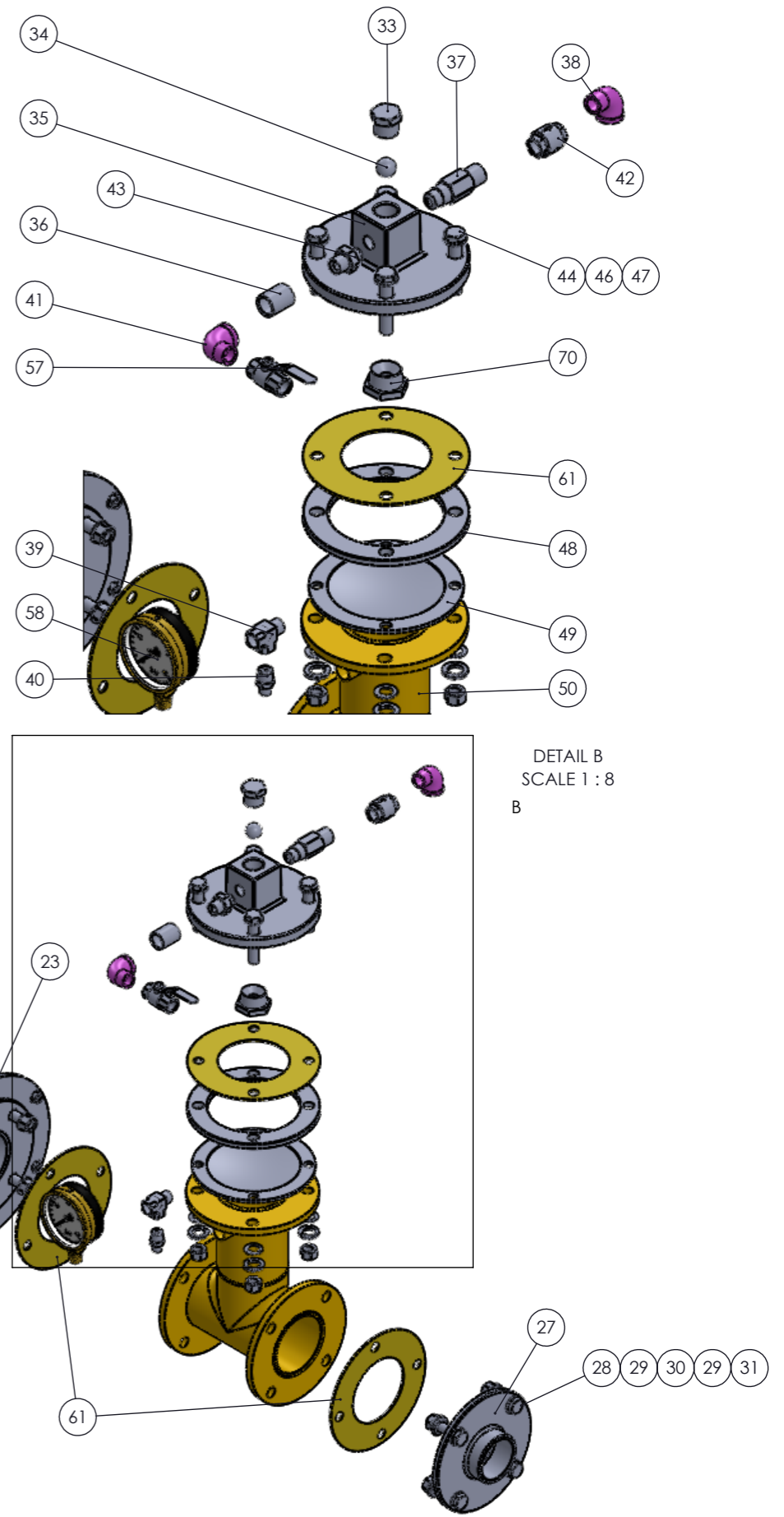


SEE "DETAIL A" EXPLODED VIEW



DETAIL A



DETAIL B
SCALE 1 : 8
B

<p>GENERAL TOLERANCE UNLESS OTHERWISE STATED</p> <p>0.05 ± 0.05 0 ± 0.05 OVER 0 TO 500 ± 0.1 OVER 500 TO 5000 ± 0.1 OVER 5000 TO 10000 ± 0.1 ANGLES ± 0.5°</p> <p>SURFACE FINISH</p> <p>FABRICATION $\sqrt{3.2}$ MACHINING $\sqrt{1.6}$</p>		<p>ALL DIMENSIONS IN MILLIMETERS DO NOT SCALE - IF IN DOUBT ASK</p> <p>TRUFLO PUMPING SYSTEMS ABN 80 147 42 516 OWNS THE COPYRIGHT TO THIS DRAWING WHICH IS ITS EXCLUSIVE PROPERTY AND WHICH IS SUPPLIED IN CONFIDENCE AND WHICH MUST NOT BE USED FOR ANY PURPOSE OTHER THAN THAT EXPRESSED PERMITTED IN WRITING BY THE OWNERS AND MUST NOT BE DISCLOSED OR REPRODUCED WITHOUT PERMISSION FROM THE OWNERS IN WRITING. THIS DRAWING MUST BE RETURNED TO THE OWNERS WHEN THE PURPOSE FOR WHICH IT IS SUPPLIED HAS CEASED.</p>		<p>MILLER SALES & ENGINEERING INC. TruFlo distributor info@mseinc.net</p>		<p>DRAWING TITLE TRUFLO JUMBO PUMP EXPLODED VIEW</p> <p>DRAWING NUMBER JP-3-2-02-EXP</p> <p>REV 5</p>	
<p>DATE: 15/01/2018 BY: V.BRITTO</p>		<p>DATE: 15/01/2018 BY: C.ALLBUT</p>		<p>DATE: 15/01/2018 BY: C.ALLBUT</p>			
<p>PROJECT: JP-3-2-02-EXP</p>		<p>SCALE: 1:10</p>		<p>SHEET NO: 1 OF 2</p>			

DRAWING: PUMP PRODUCTS JUMBO PUMP, JP-3-2-02-EXP
MODEL: PUMP PRODUCTS JUMBO PUMP, JP-3-2-02-EXP